

Tactical Deploy 90 (TD 90)

QUICK LOOK:

- **Fast deployment of PTP 700 MIL STD radios**
- **Aligns radio to destination radio whether destination radio GPS location known or not**
- **Deployable in GPS denied environments**
- **Designed for tactical operators**
- **MIL STD data and power connectors**



The Tactical Deploy 90 (TD 90) provides an automated link establishment positioner solution for Cambium MIL STD radios such as the PTP 700. The TD 90 provides alignment and link acquisition whether the destination location is known or not and even in GPS denied environments. Link setup and remote management tools are available through the Cambium radio web-based user interface. The TD 90 allows for upload of Cambium Link Planner files for pre-configuration or at time of deployment for maximum ease of use and integration into customer enterprise management systems.

APPLICATIONS

- Deployment of tactical MIL STD links both at short and long distance in minutes

KEY FEATURES

- Fully integrated solution with positioner and radio
- Available in a full range of tactical connectivity kits
- Compatible with Cambium Networks PTP 700 MIL STD radios
- Simplified user interface and setup
- Designed for tactical operators
- Ruggedized mechanics and cabling for harsh environments and environmentally sealed for upright or inverted operation
- Lowest Power Draw of any competing solution – can be powered via Cambium PTP 700 Power Indoor Unit (PIDU)

R-NIU+ Ruggedized Switch

General Specifications

Model Number C000000L067A – White
C000000L068A – Green
C000000L069A – Desert Tan

Country of Origin United States

Physical Dimensions 11.18 x 9.23 x 6.75 in
(284 x 234.4 x 171.5 mm)

Weight 25 lbs (11.34kg)

Mechanical Specifications

Payload 100 lbs (45.36kg)

Az/EI Operational Torque 90 ft-lbs (40.82kg)

Drive Rate Azimuth 3.5 deg/sec

Drive Rate Elevation 1.1 deg/sec

Travel Range Azimuth 400° (±200°)

Travel Range Elevation 180° (±90°)

Material Finish Aluminum with stainless steel hardware / green paint (FED STD 595C, 34094) over chemical conversion coating

Mounting Direct bolt upright or inverted 4X .400 DIA 3/8" fastener clearance 3.36" SQ hole pattern or optional MLOS connectivity kit tool-less quick connect mast mounting bracket

Ingress Protection Rating IP67

Operational Temp -30°C to 60°C (-30°F to 140°F)

Survival Temp -40°C to 70°C (-40°F to 158°F)

Antennas Supported Integrated, 2' Parabolic,
3' Parabolic

Electrical Specifications

Communications 10/100/1000 Ethernet

Power Power over Ethernet (PoE) 48-56VDC @48 W
or separate input 18-56VDC @ 48 W

Data & Power Connectors MIL STD 38999 Data & DC in and Amphenol RJFTV21G for Ethernet data pass through and Out-of-Band Ethernet pass through and FKFD GPS connector

Software Specifications

User Interface Web-based hosted internal via embedded controller or via PTP 700 proxy

Remote Management SNMP v1/v2c/v3

Alignment Modes
Mode 1: Align with GPS provided location
Mode 2: Align without GPS location
Mode 3: Align in GPS denied environments

Radios Supported PTP 45700, PTP 78700

Alignment Pre-configuration Stored destination locations, uploadable via LINKPlanner

Link Optimization Automate alignment based on antenna size

Link Maintenance Re-peak existing links to maintain optimal connections

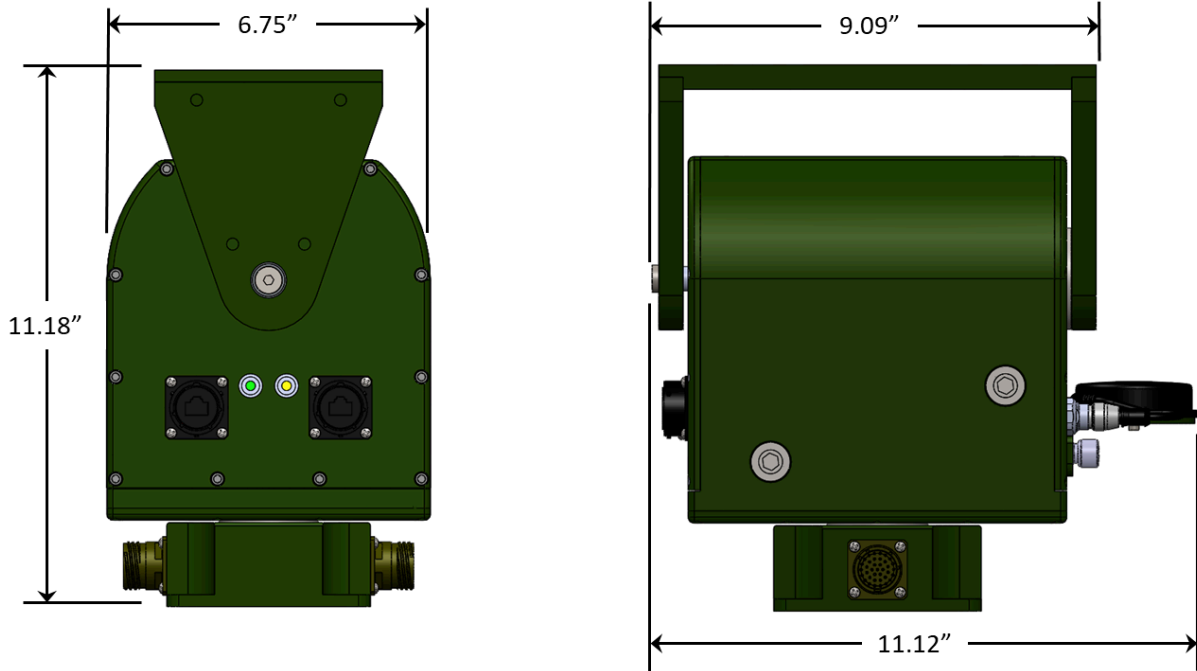
Boot Up Settings Maintain current alignment settings or start anew

Stow Functionality Customizable stow position

Maintenance Features Syslog, Factory Reset

R-NIU+ Ruggedized Switch

Dimensions



ABOUT CAMBIUM NETWORKS

Cambium Networks empowers millions of people with wireless connectivity worldwide. Its wireless portfolio is used by commercial and government network operators as well as broadband service providers to connect people, places and things. With a single network architecture spanning fixed wireless and Wi-Fi, Cambium Networks enables operators to achieve maximum performance with minimal spectrum. End-to-end cloud management transforms networks into dynamic environments that evolve to meet changing needs with minimal physical human intervention. Cambium Networks empowers a growing ecosystem of partners who design and deliver gigabit wireless solutions that just work.